

REM Capri Nail Bar 01030 / 01031 / 01032 (E3-2024)



REM (UK) Limited, Glenfield Mill, Glenfield Road, Nelson, Lancashire BB9 8AW T: +44 (0)1282 619 977 F: +44 (0)1282 619 617 E: sales@rem.co.uk W: www.rem.co.uk

Product Codes:

- 01030 - Capri Nail Bar 1 Position
- 01031 - Capri Nail Bar 2 Position
- 01032 - Capri Nail Bar 3 Position

Standard Equipment:

- Storage drawer per position
- Cable port & mag lamp bung per position

Optional Equipment:

- Double chrome socket

Main Construction:

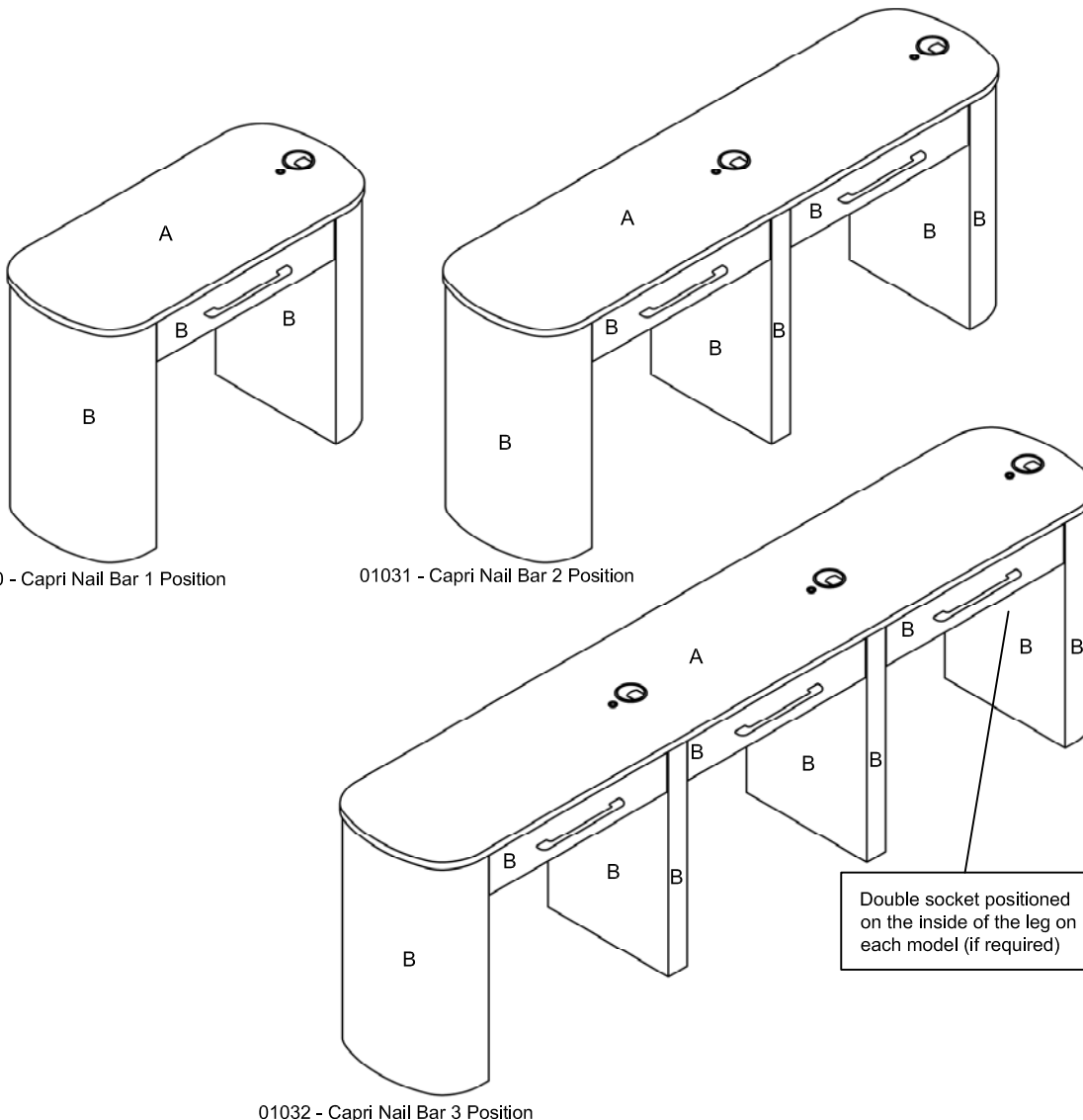
- Timber construction finished in high pressure laminate from the REM laminate range

Finish:

- Any laminate from the REM swatch range

Features:

- Unique Design, part of the REM Capri range of products
- Choice of REM colours
- Storage drawer
- Cable ports & mag lamp bungs
- Double socket (if ordered)



A = Laminate
B = Laminate

Choice of REM laminates

01030 - Capri Nail Bar 1 Position
01031 - Capri Nail Bar 2 Position
01032 - Capri Nail Bar 3 Position

Optional extras must be clearly detailed at time of order.

05852 - Chrome socket (non-wired)
05858 - Chrome socket (pre-wired)

Power cable exits from below RHS leg as standard