

Product Codes:

- 01595 - Centenary Pedispa

Standard Equipment:

- Manually adjustable footrest
- Swivel seat
- Retractable tap (WRAS approved)
- Whirl pool motor
- Porcelain basin
- Laminated basin cover

Optional Equipment:

- N/A

Main Construction:

- Interior plywood construction with foam toppers.
- Any REM laminate to base
- Any REM fabric to seat
- ceramic basin

Finish:

- Any fabric & laminate from the REM range. All REM fabrics are fire retardant to Crib 5.

Features:

- Unique Design, part of the REM Centenary Range of products
- Self-centralising swivel seat for easy access
- Whirl pool motor
- Choice of any REM colours with feature piping on seat
- Adjustable footrest
- Retractable tap
- Laminated basin cover

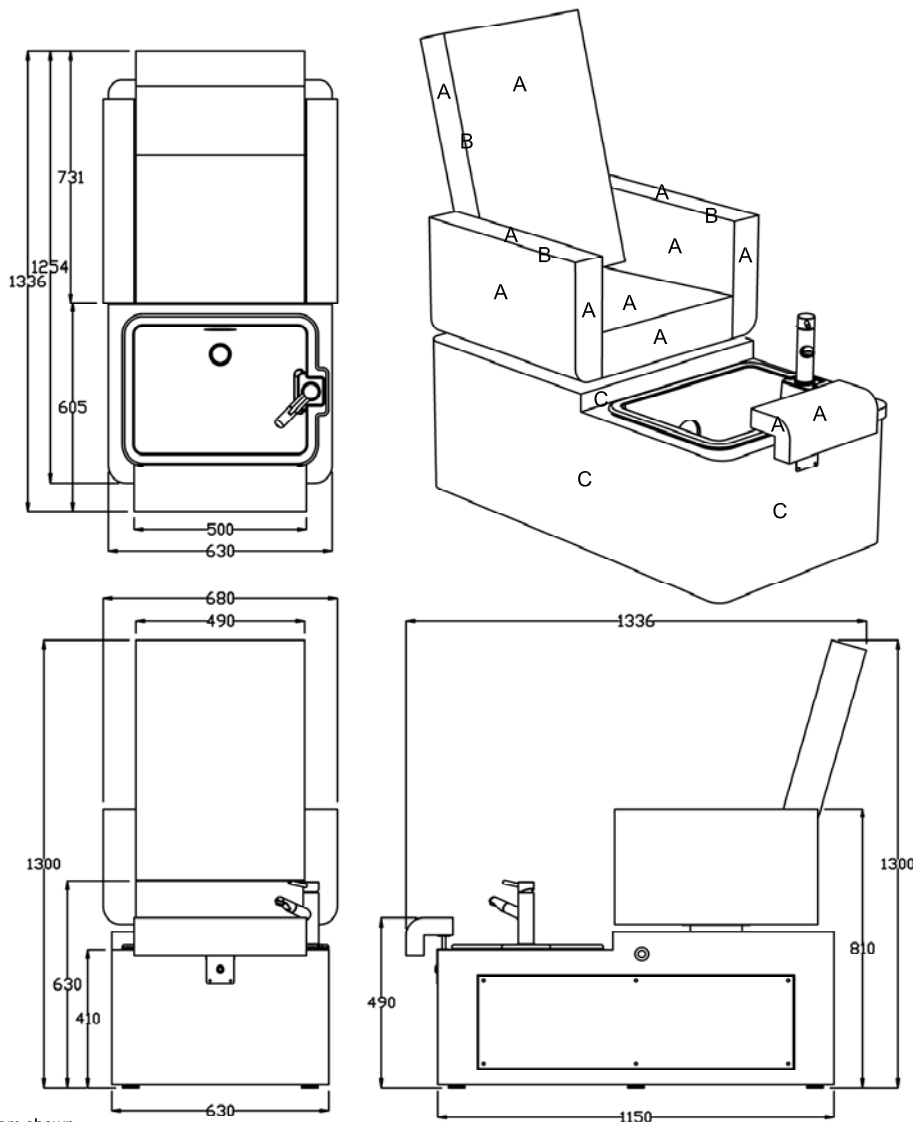
Plumbing Details:

Included:

- Hot & cold flexi pipe
- to fit 15mm copper pipe
- Pop Up Waste
- 1 ¼ (32mm)

Optional Extra:

- Bottle Trap A10A
- 1 ¼ (32mm)



A = Fabric
B = Fabric (piping)
C = Laminate

Unit Options:

- 03954 Embroidery Small
- 03955 Embroidery Large (embroidery to rear of chairs)

Optional extras must be clearly detailed at time of order.

*NOTE: sizes may vary slightly from shown