

Product Codes:

- 01591 - Dream Pedispa Link

Standard Equipment:

- Open upper storage
- 2 lower drawer storage

Optional Equipment:

- N/A

Main Construction:

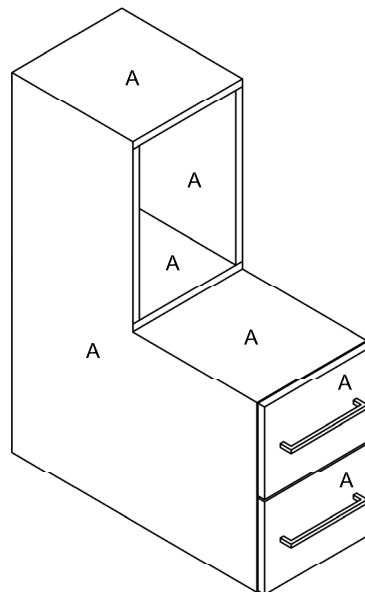
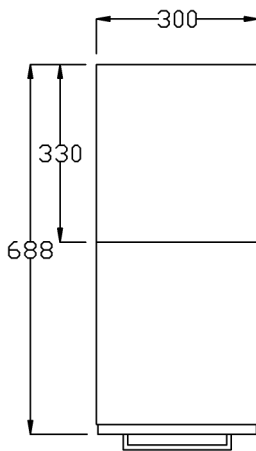
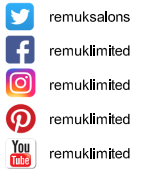
- Interior plywood construction
- Any REM laminate

Finish:

- Any laminate from the REM range.

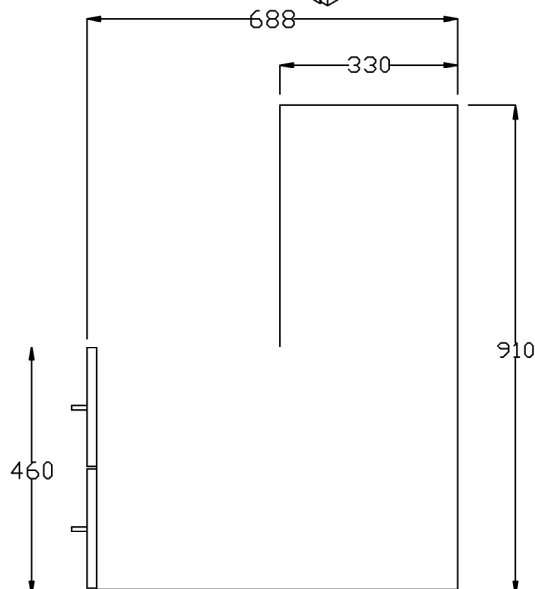
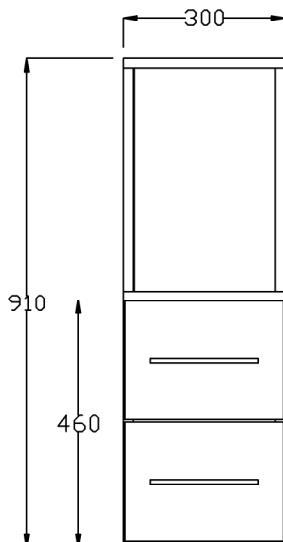
Features:

- Storage link between Dream pedispa units
- Open & closed storage sections



A = Laminate

Optional extras must be clearly detailed at time of order.



*NOTE: sizes may vary slightly from shown