

REM Therapist Stool 01706 / 01708 / 01710 (E6-2025)



REM (UK) Limited, Glenfield Mill, Glenfield Road, Nelson, Lancashire BB9 8AW T: +44 (0)1282 619 977 F: +44 (0)1282 619 617 E: sales@rem.co.uk W: www.rem.co.uk

Product Codes:

- 01706 - Therapist Stool - any Colour
- 01708 - Therapist Stool - Black
- 01710 - Therapist Stool - White

Standard Equipment:

- Chrome plated gas lift with 5 star base

Optional Equipment:

- Black Base
- Castors

Main Construction:

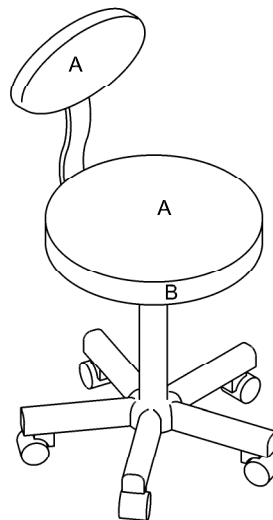
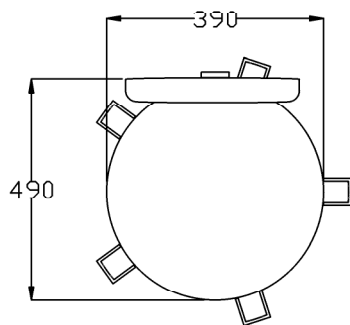
- Interior plywood construction with foam toppers.

Finish:

- Any fabric from the REM range. All REM fabrics are fire retardant to Crib 5.

Features:

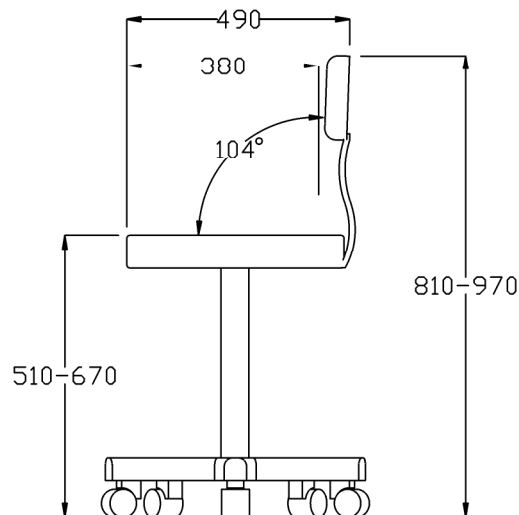
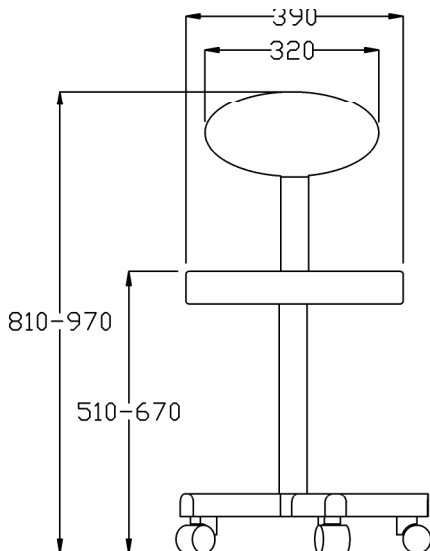
- Unique Design,
- Choice of any REM colour



A = Fabric
B = Fabric

Stool Options:
03964 Black Base - option
03955 Embroidery
(embroidery to rear of chairs)

Optional extras must be clearly detailed at time of order.



*NOTE: sizes may vary slightly from shown