

Product Codes:

- 05196 - Paris Island Unit

Standard Equipment:

- Timber shelf with chrome holster and brackets
- Centre storage column

Optional Equipment:

- Double electric sockets
- Stability base

Main Construction:

- Timber construction finished in high pressure laminate from the REM laminate range
- 4mm mirror face with timber shelf.

Finish:

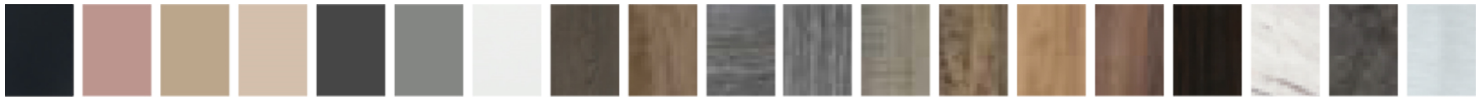
- Any laminate from the REM swatch range

Features:

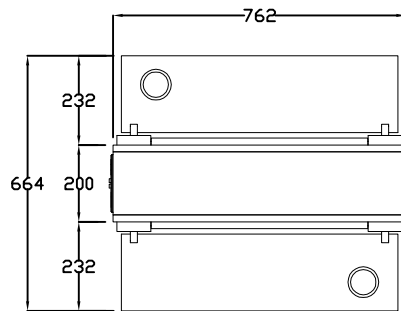
- Simple design
- Dryer holster
- Generous sized mirror



Laminate Finish Options:



NOTE: island column will be white if styling units are Alu Brosse / Reed / Antique Rose



A = Laminate

Choice of REM laminates

Optional extras must be clearly detailed at time of order.

