

REM (UK) Limited, Glenfield Mill, Glenfield Road, Nelson, Lancashire BB9 8AW T: +44 (0)1282 619 977 F: +44 (0)1282 619 617 E: sales@rem.co.uk W: www.rem.co.uk

Product Codes:

- 05424 - Zodiac Reception Desk

Standard Equipment:

- LED feature lighting to front
- Open storage section to rear with fixed shelf
- Cupboard section to rear with adjustable shelf
- Cable management throughout desk

Optional Equipment:

- Slide out keyboard tray
- Lockable cash drawer
- 432mm Till cutout

Main Construction:

- Timber construction finished in high pressure laminate from the REM laminate range

Finish:

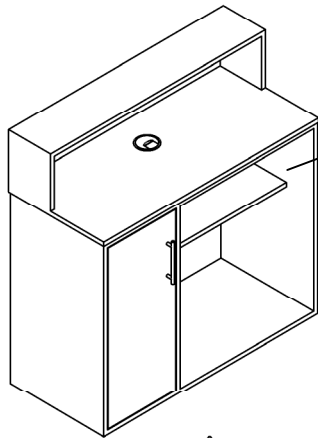
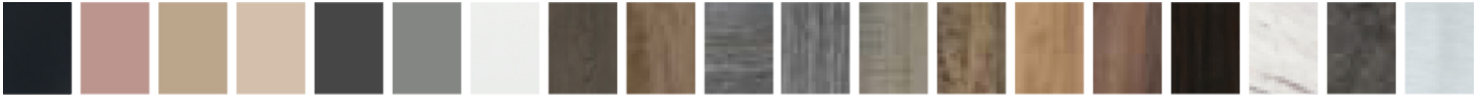
- Any laminate from the REM swatch range

Features:

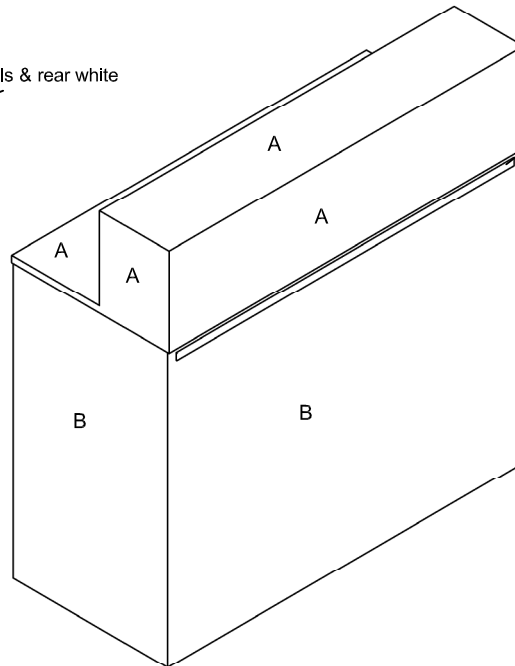
- LED lighting
- Open & closed storage
- Cable management throughout desk
- Choice of REM colours



Laminate Finish Options:



Internals & rear white



LED lighting

A = Laminate
B = Laminate

Choice of REM laminates

****NOTE:** power cable exits to cupboard side only

Desk Options:

Select 1 only:

- 05870 - Lockable Cash Drawer
- or
- 05874 - Keyboard Slide

- 05608 - Lock to any door
- 05868 - Till cutout LHS 432mm
- 05869 - Till cutout RHS 432mm

Optional extras must be clearly detailed at time of order.

