

REM (UK) Limited, Glenfield Mill, Glenfield Road, Nelson, Lancashire BB9 8AW T: +44 (0)1282 619 977 F: +44 (0)1282 619 617 E: sales@rem.co.uk W: www.rem.co.uk

Product Codes:

- 05750 - Lunar Reception Desk

Standard Equipment:

- LED feature lighting to front
- Open storage section to rear with fixed shelf
- Cupboard section to rear with adjustable shelf
- Cable management throughout desk

Optional Equipment:

- Slide out keyboard tray
- Lockable cash drawer
- 432mm Till cutout

Main Construction:

- Timber construction finished in high pressure laminate from the REM laminate range

Finish:

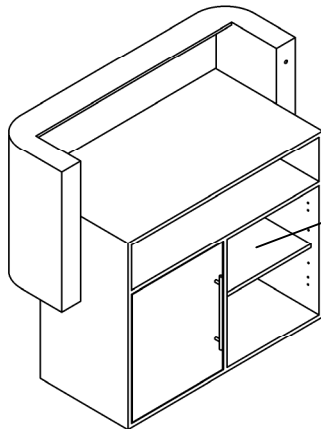
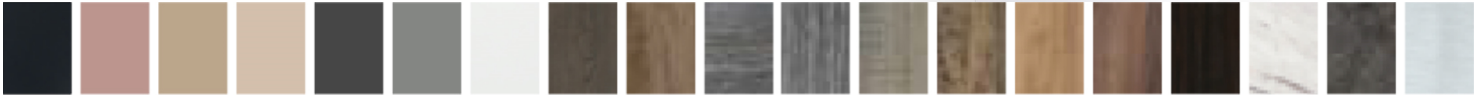
- Any laminate from the REM swatch range

Features:

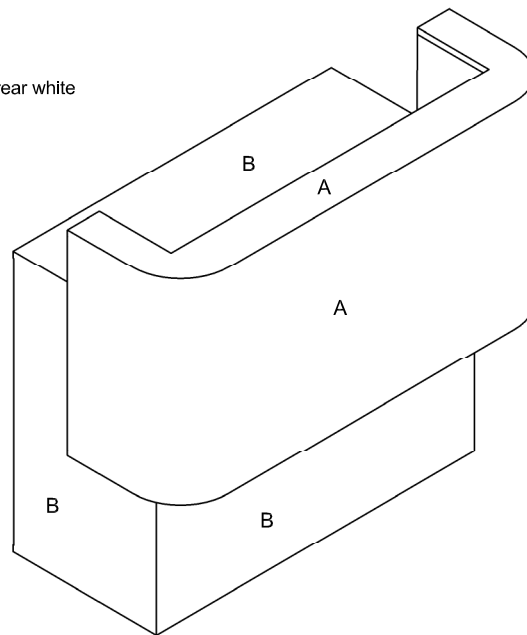
- Open & closed storage
- Cable management throughout desk
- Choice of REM colours
- LED feature lighting to front
- Style to match Lunar Styling Unit range



Laminate Finish Options:



Internals & rear white



A = Laminate
B = Laminate

Desk Options:
05870 - Lockable Cash Drawer
05874 - Keyboard Slide N/A

Optional extras must be clearly detailed at time of order.

