

REM (UK) Limited, Glenfield Mill, Glenfield Road, Nelson, Lancashire BB9 8AW T: +44 (0)1282 619 977 F: +44 (0)1282 619 617 E: sales@rem.co.uk W: www.rem.co.uk

**Product Codes:**

- 05766.000 - Pod Reception Desk

**Standard Equipment:**

- LED feature lighting to front
- Open storage section to rear with fixed shelf
- Cable management throughout desk

**Optional Equipment:**

- Slide out keyboard tray
- Lockable cash drawer

**Main Construction:**

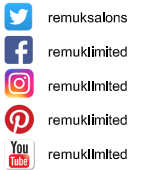
- Timber construction finished in high pressure laminate from the REM laminate range

**Finish:**

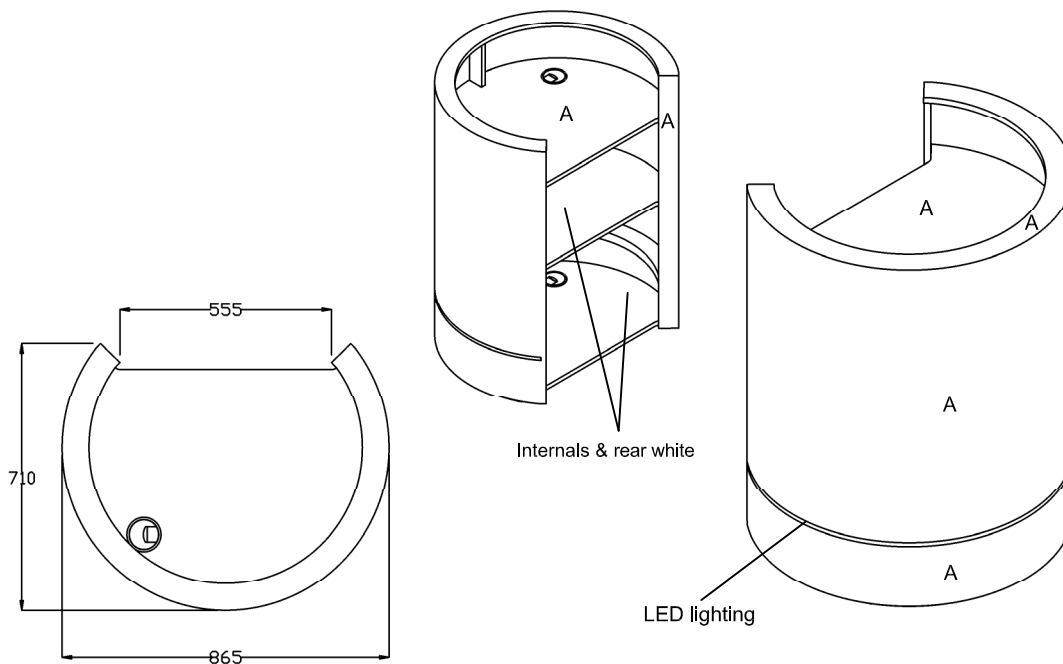
- Any laminate from the REM swatch range

**Features:**

- Compact design
- LED lighting
- Open storage
- Cable management throughout desk
- Choice of REM colours



Laminate Finish Options:



A = Laminate

Choice of REM laminates

**\*\*NOTE:** power cable exits to base

Desk Options:

Select 1 only:  
05870 - Lockable Cash Drawer  
or  
05874 - Keyboard Slide

Optional extras must be clearly detailed at time of order.

