

Product Codes:

- 01052A - 1 Position Concorde Nail Bar (no filter)
- 01052B - 1 Position Concorde Nail Bar inc. Storage (no filter)
- 01052C - 2 Position Concorde Nail Bar (no filter)
- 01052D - 2 Position Concorde Nail Bar inc. Storage (no filter)

Standard Equipment (storage units):

- 1 lockable cupboard with 2 slide out trays (01052B / 01052D)

Optional Equipment:

- Advanced Air Filter System (see below for details)
- Double chrome socket

Air Filter System:

2 stage purification system:

1. A removable particle filter to catch larger nail particles & waste.
2. HEPA Carbon activated filter to catch particles as small as 0.3 microns to 99.97% effectiveness.

Air flow rate at filter surface: 0.90-0.95m/s. Decibel reading at sitting position: 62 Db

Main Construction:

- Timber construction finished in high pressure laminate from the REM laminate range
- 2 high impact polypropylene trays

Finish:

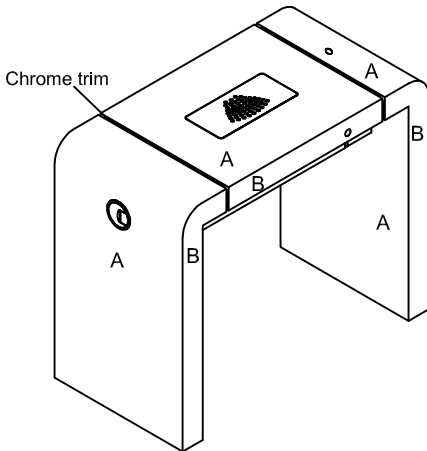
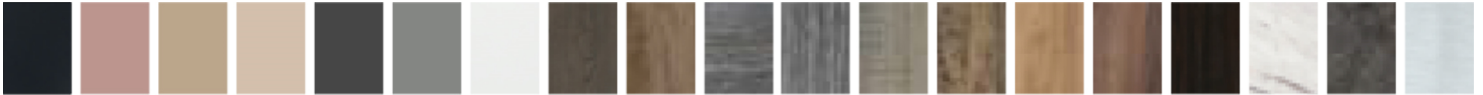
- Any laminate from the REM swatch range

Features:

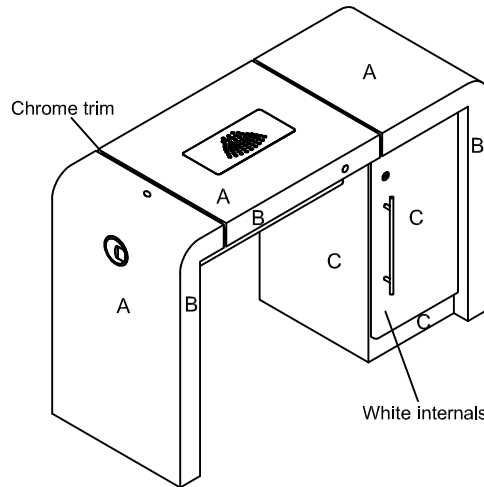
- Storage cupboard (if ordered)
- Double socket (if ordered)
- Filter system (if ordered)



Laminate Finish Options:



01052A - 1 Position Concorde Nail Bar
Delivered as 1 piece

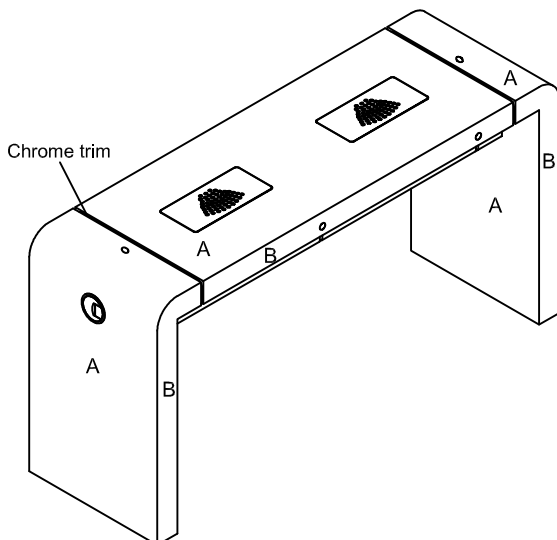


01052B - 1 Position Concorde Nail Bar inc. Storage
Delivered as 1 piece

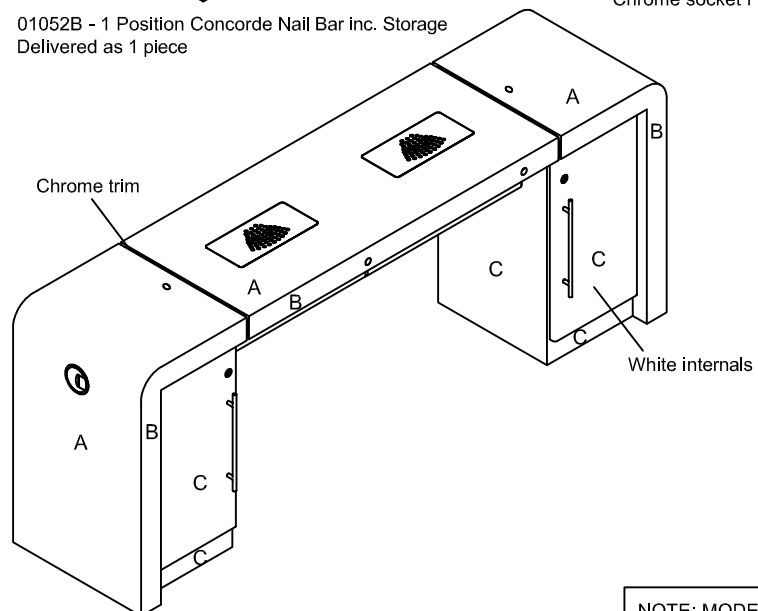
A = Laminate
B = Laminate
C = Laminate

Choice of REM laminates

Optional extras must be clearly detailed at time of order:
Advanced Filter
Chrome socket - 05852
Chrome socket Pre-Wired - 05889



01052C - 2 Position Concorde Nail Bar
Delivered as 1 piece



01052D - 2 Position Concorde Nail Bar inc. Storage
Delivered as 4 piece's

NOTE: MODELS SHOWN COMPLETE WITH ADDITIONAL FILTER AND SOCKETS