

Product Codes:

- 04116 - Dune Styling Chair (black)
- 04117 - Dune Styling Chair (colour)

Standard Equipment:

- Chrome plated locking hydraulic pump with 5 star base

Optional Equipment:

- Quadra base (04378)
- Chair back cover
- Logo embroidery

Main Construction:

- Interior plywood construction with foam toppers.
- Upholstered arms.

Finish:

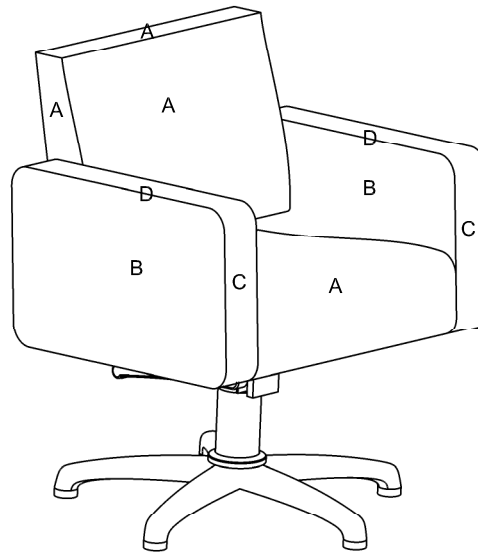
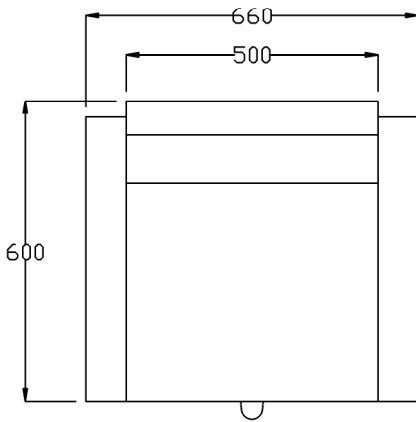
- Any fabric from the REM range. All REM fabrics are fire retardant to Crib 5.

Features:

- Unique Design
- Choice of any REM colour with feature piping on arms
- Matching wash point available



Fabric Finish Options:



A = Fabric
 B = Fabric
 C = Fabric
 D = Fabric (piping)

Chair Options:
 5 Star Base - standard
 04378 Quadra Base - option

03955 Embroidered Logo
 (embroidery to rear of chairs)

Clear Protective Back Cover

Optional extras must be clearly detailed at time of order.

