

**Product Codes:**

- 01068 - Stadium Nail Bar (Michigan Elm)
- 01069 - Stadium Nail Bar (Rustic Oak)

**Standard Equipment:**

- Locking cupboard
- Fixed internal shelf
- Castors

**Optional Equipment:**

- N/A

**Main Construction:**

- MFC construction

**Finish:**

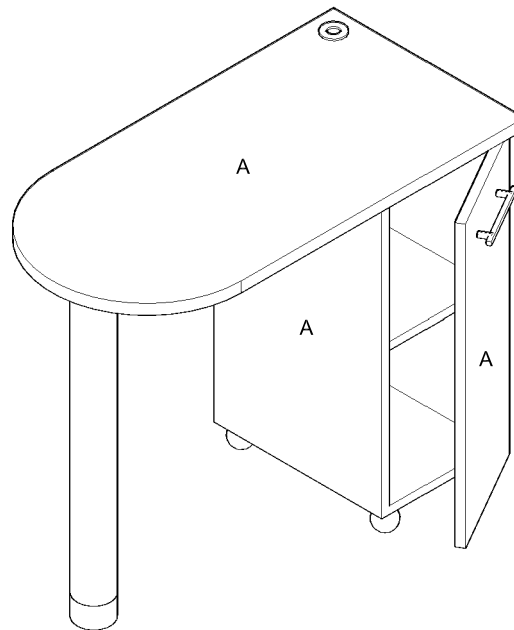
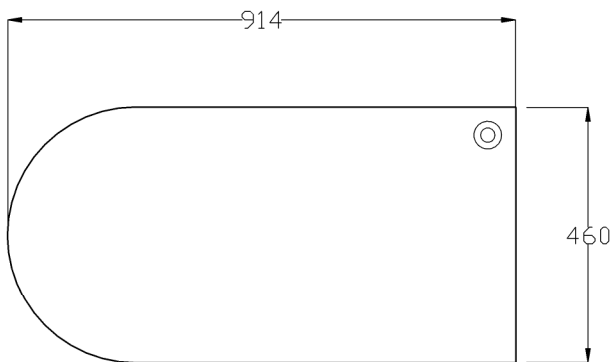
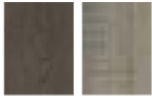
- Michigan Elm / Rustic Oak MFC

**Features:**

- Adjustable leg
- Fixed shelf
- Locking cupboard



**Laminate Finish Options:**



A = Rustic Oak or Michigan Elm

Optional extras must be clearly detailed at time of order.

