

Product Codes:

- 05054 - Tokyo Retail Shelf System

Standard Equipment:

- 4 glass shelves fixed to chrome brackets

Optional Equipment:

- N/A

Main Construction:

- Particle board with chrome shelf handles
- Toughened glass shelves

Finish:

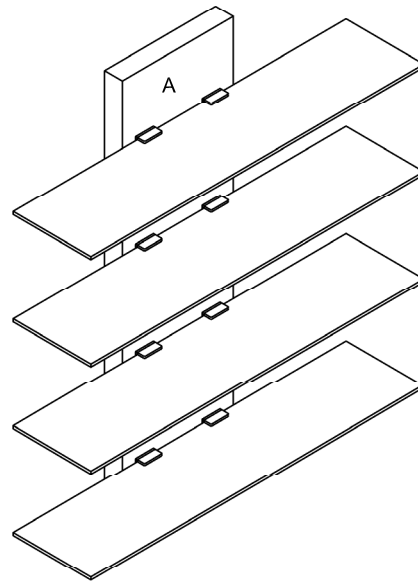
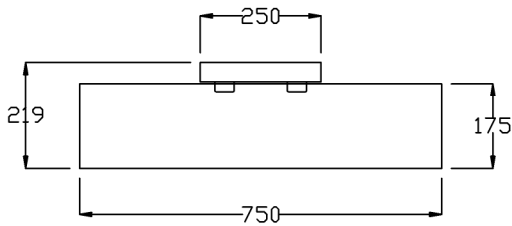
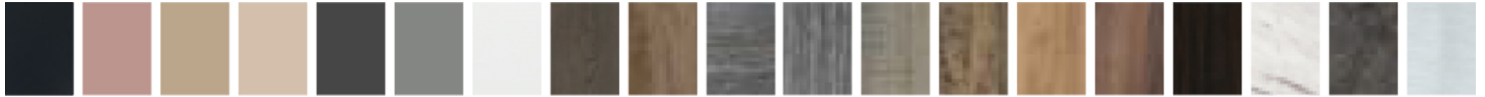
- Any laminate from the REM range

Features:

- Glass shelves
- Choice of REM colours
- Maximum weight limit per pair of brackets: 10kg.



Laminate Finish Options:



A = Laminate

Standard REM Laminate

